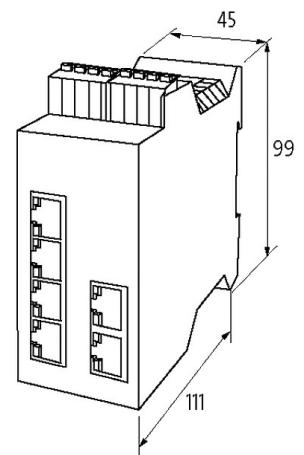


**TREE PROFINET managed Switch 6x10/100BT IP20 plastic RJ45**

6 ports

PROFINET - Managed Switch

Connection cables are in the online shop under "Connection Technology".

**Illustration**


Product may differ from Image

**More Info**

**Connections**

Fieldbus	6 × RJ45
Supply	Spring clamp plug-in terminal: 0.2...2.5 mm <sup>2</sup>

**General data**

Protection	IP20
Housing	Black plastic
Mounting method	DIN-rail mountable (EN 50022)
Temperature range	0...+60 °C (storage temperature -40...+85 °C)
Dimensions H×W×D	111×45×99 mm

<b>Technical Data</b>	
Operating voltage	9.5...31.5 V
Transfer rate	10/100 Mbit/s full duplex
Operating modes	Autocrossing Autonegotiation
<b>Switch Management</b>	
Switch Form	PROFINET - Managed Switch
Websserver	HTTP, HTTPS
VLAN (QoS) IEEE 802.p	yes
Port Mirroring	yes
Protocols	DHCP, SNMP (v1, v2c, v3), RSTP, STP, LLDP, NTP, RMON, SSH (CLI)
Remote maintenance	Open VPN
Alarm contact	yes
<b>PROFINET</b>	
Addressing	DCP
FSU (Fast-Start-Up)	no
Shared Device/Input	no
PROFINET Netload Class	I
Specification	V2.3, Conformance Class B
MRP	yes
<b>Diagnostic</b>	
Communication status	via LED, LLDP
Monitoring - no voltage	yes
<b>Commercial data</b>	
country of origin	DE
customs tariff number	85176200
EAN	4048879720335
eClass	19170106
Packaging unit	1